

## LIFTING CAPACITY

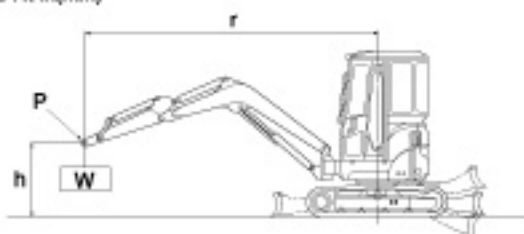
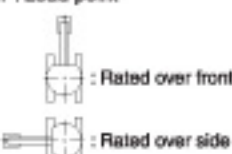
Excavator equipped with ROPS/FOPS cabin and rubber crawlers.

r: Reach from swing center line : ft-in/(mm)

h: Lift point height : ft-in/(mm)

w: Lifting capacity : lbs/(kg)

P: Load point



- The rated lifting capacities that are indicated below are based on ISO 10567 and do not exceed 87% of the excavator's hydraulic lifting capacity or 75% of its static tilt load (tipping load) capacity.
- The following operating criteria are also applicable to the calculation of these maximum loads:
  - The "load point" is the location of the front bolt on the arm.
  - The three indicated machine positions are :
    - arm over the front end (blade down),
    - arm over the front end (blade up), and
    - arm over the side (blade up).
  - The operating cylinder is the boom cylinder.
- The weight of the excavator's bucket, hook, sling and other lifting accessories have been taken into consideration when calculating these maximum loads.

### VI075-A

LIFT POINT HEIGHT h:ft-in (mm)	r: REACH ft-in (mm)				r: REACH ft-in (mm)				r: REACH ft-in (mm)			
	RATED LIFT CAPACITY OVER FRONT BLADE DOWN lbs (kg)				RATED LIFT CAPACITY OVER FRONT BLADE UP lbs (kg)				RATED LIFT CAPACITY OVER SIDE BLADE UP lbs (kg)			
	MAX	16'5" (5000)	13'1" (4000)	9'10" (3000)	MAX	16'5" (5000)	13'1" (4000)	9'10" (3000)	MAX	16'5" (5000)	13'1" (4000)	9'10" (3000)
16'5"(5000)	*3859(1750)		*3782(1715)		*3760(1705)		*3660(1660)		*3704(1680)		*3704(1680)	
13'1"(4000)	*3572(1620)		*3760(1705)		2547(1155)		*3760(1705)		2448(1110)		*3682(1670)	
9'10"(3000)	*3572(1620)	*3704(1680)	*4145(1880)	*5204(2360)	2106( 955)	2536(1150)	*4068(1845)	*5127(2325)	2007( 910)	2414(1095)	3462(1570)	*5237(2375)
6'7"(2000)	*3572(1620)	*3969(1800)	*4928(2235)	*7133(3235)	1918( 870)	2403(1090)	3495(1585)	5325(2415)	1819( 825)	2337(1060)	3296(1495)	5060(2295)
3'3"(1000)	*3572(1620)	*4278(1940)	*5579(2530)	*7706(3495)	1841( 835)	2370(1075)	3274(1485)	4730(2145)	1742( 790)	2216(1005)	3010(1365)	4399(1995)
Ground(0)	*3682(1670)	*4355(1975)	*5722(2595)	*7927(3595)	1885( 855)	2282(1035)	3184(1435)	4818(2185)	1841( 835)	2183( 990)	2999(1360)	4520(2050)
-3'3"(-1000)	*3660(1660)	*3969(1800)	*5391(2445)	*7332(3325)	2051( 930)	2139( 970)	3043(1380)	4697(2130)	1940( 880)	2084( 945)	2933(1330)	4498(2040)
-6'7"(-2000)	*3418(1550)		*4355(1975)	*5777(2620)	2481(1125)		3065(1390)	4785(2170)	2437(1105)		2944(1335)	4585(2080)
-9'10"(-3000)	*2767(1255)			*3782(1715)	*2900(1315)				*3892(1765)	*2723(1235)		*3760(1705)

Note : The maximum loads marked with an asterisk (\*) were limited by the Excavator's hydraulic lifting capacity rather than by its static tilt load (tipping load) capacity.

## STANDARD EQUIPMENT

- Blade
  - Joystick pilot controls
  - Arm rests
  - Suspension and reclining seat
  - Seat belt
  - Rubber or steel tracks
  - ROPS/FOPS cabin
  - Windshield washer
  - Defroster
  - Boom swing function
  - Std. bucket (w/side cutter)
  - Traveling lever and pedal
  - Auxiliary valve and piping (arm end)
  - Traveling alarm
  - 2-way operation pattern change
  - Hydraulic quick coupler
  - Built-in type boom light
  - Exterior cabin work light
  - Air conditioner
  - Operation manual
- (Please note that the standard equipment may vary from this list. Consult your Yanmar dealer for confirmation.)

Note : All information presented in this Brochure is subject to change without notice

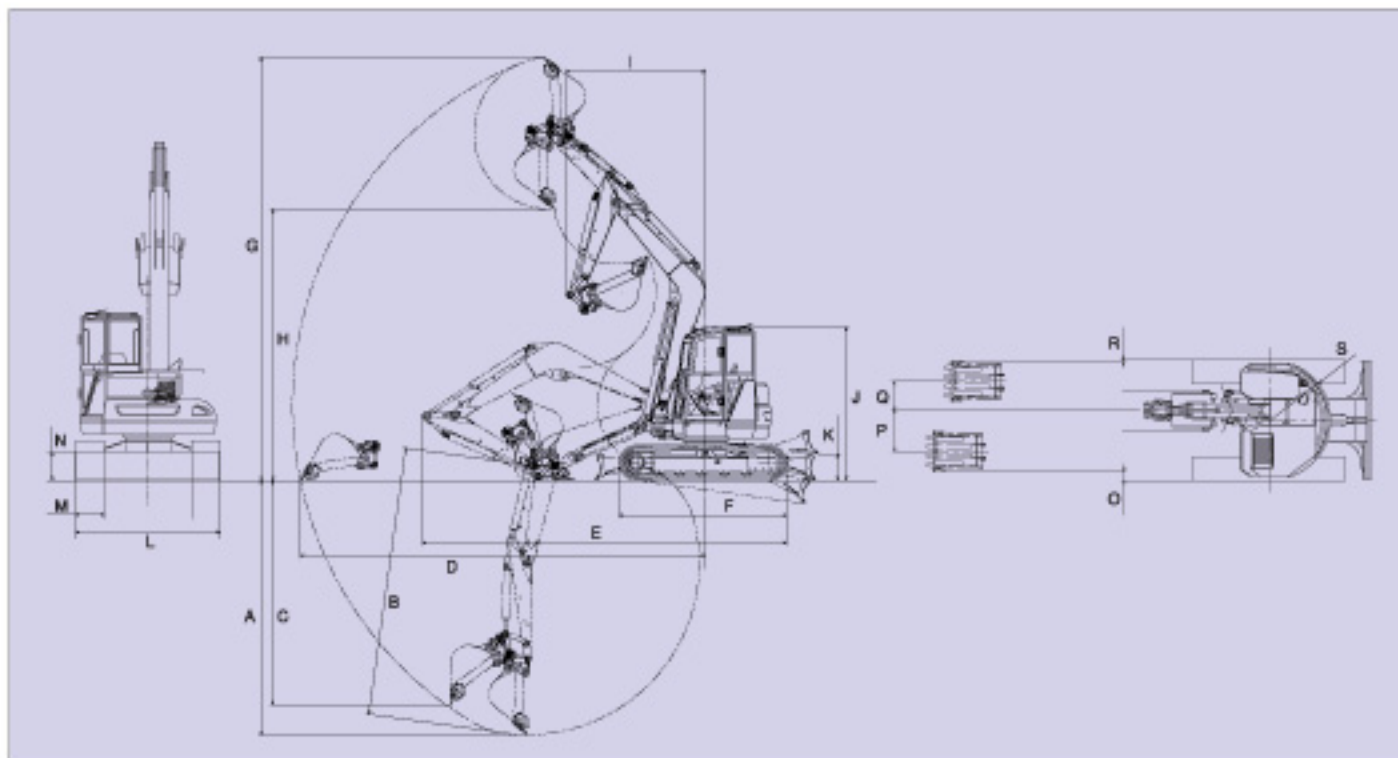


## YANMAR CONSTRUCTION EQUIPMENT CO., LTD.

EXPORT DEPT. CONSTRUCTION  
1717-1 Kumano, Chikugo, Fukuoka 833-0055 JAPAN  
TEL. (0942) 53-5465 FAX. (0942) 53-5132  
<http://www.yanmar.co.jp>

## YANMAR AMERICA CORP.

CONSTRUCTION EQUIPMENT DEPT.  
101 International Parkway, Adairsville, GA 30103, U.S.A.  
TEL:770-877-7570 FAX:770-877-7572  
<http://www.yanmar.com>



## Dimensions

Unit: ft-in (mm)

	A	B	C	D	E	F	G	H	I	J
VIO75-A	147"(4450)	15'5"(4700)	13'1"(4000)	22'11"(6960)	20'7"(6280)	9'6"(2890)	23'11"(7300)	15'4"(4680)	7'10"(2390)	8'11"(2715)
	K	L	M	N	O	P	Q	R	S	
VIO75-A	1'6"(460)	7'5"(2270)	1'6"(450)	1'3"(380)	7"(180)	2'6"(770)	1'10"(550)	1"(30)	3'8"(1130)	

## Specifications

Model		VIO75-A	
Type		Cabin	
Operating weight	Rubber track	lbs (kg)	17530 (7950)
	Steel track	lbs (kg)	17640 (8000)
Engine	Type	Water-cooled 4 cyl., diesel	
	Model	4TNV98-XBV	
	Output	hp (kW)/RPM	58.2 (43.4) / 2000
Performance	Max. digging force, bucket/arm	lbs (kN)	11015/7284 (49.0 / 32.4)
	Traveling speed	MPH (km/h)	2.9 / 1.7 (4.7 / 2.7)
	Swing speed	RPM	10
	Boom swing angle, (L/R)	degrees	68 / 68
Ground contact pressure	Rubber track	PSI (kPa)	5.02 (34.6)
	Steel track	PSI (kPa)	5.06 (34.9)
Hydraulic system	Pump capacity	GPM	18.6 x 2 + 15.2 + 3.3
		(L/min)	(70.3 x 2 + 57.4 + 12.4)
	Main relief set pressure	PSI (MPa)	3553 (24.5)
Undercarriage	Track type	Rubber or steel	
Blade dimensions	Width x height	ft-in (mm)	7'5"x1'8" (2260x450)
Fuel tank capacity		Gals (L)	26.4 (100)
Std. Bucket (w/side cutter)	Width	ft-in(mm)	2'6"(750)
	Capacity	cu.ft(cu.m)	9.89(0.28)

## Hydraulic P.T.O.

Model		VIO75-A		
Specifications	Output	PSI(kPa)	GPM (L/min)	
			1900 RPM	1150 RPM
Combined flow, double actions		2986 (20595)	33.8 (127.7)	20.5 (77.3)