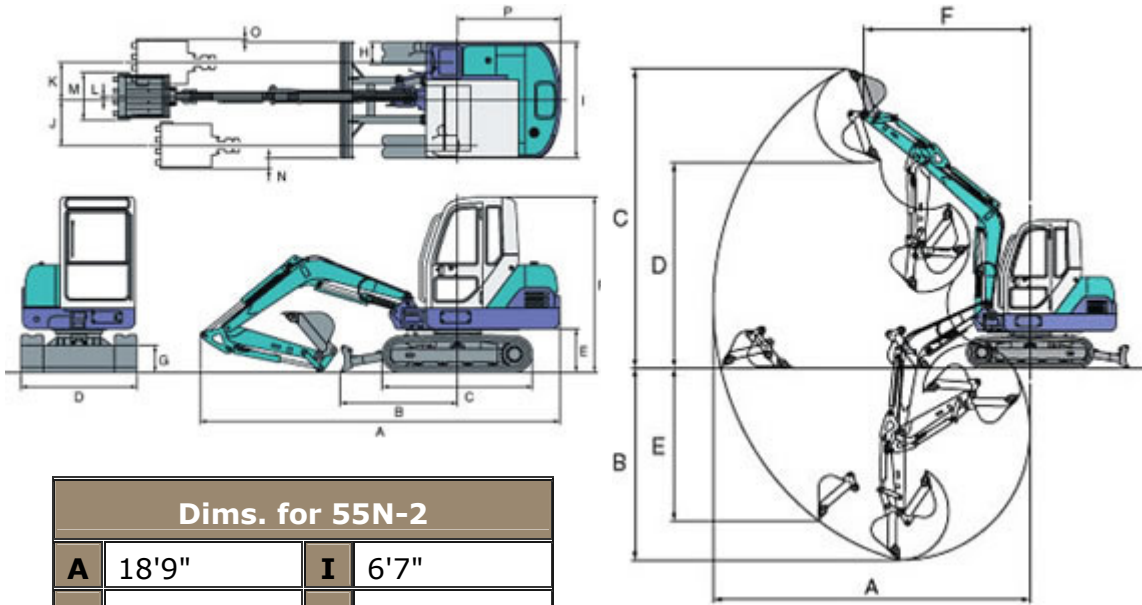


55N-2



Dims. for 55N-2			
A	18'9"	I	6'7"
B	5'7"	J	2'4"
C	8'2"	K	2'0"
D	6'7"	L	4"
E	2'3"	M	2'3"
F	8'2"	N	2"
G	1'3"	O	2"
H	1'4"	P	5'1"

Working Ranges 55N-2		
A	Max Digging Radius	20'1"
B	Max Digging Depth	12'8"
C	Max Digging Height	19'6"
D	Max Dumping Height	13'6"
E	Max Vertical Digging Depth	9'8"
F	Min Front Turning Radius	7'3"
	At Right Boom Swing	5'10"
	Digging Force	11,070 lbs

Specifications			
Basic Specifications		Hydraulic Equipment	
Canopy	4 Post / Cabin	Pumps	4
Bucket Capacity	6.40 cu. Ft.	Type-Piston/Gear	2 Piston / 2 Gear
Operating Weight	12,733 lbs.	Total Flow	47.4 gpm
Transports Weight	11,935 lbs.	Operating Pressure	2,988 psi
		Auxiliary Flow	29.7 gpm

Engine		Dimensions	
Model	Yanmar 3TNV94L	Length	18'9"
Horsepower	55.5 @ 2,400 rpm	Width	6'7"
Fuel Tank Capacity	19.8 gals	Height	8'2"
Features			
Travel Speed L/H	1.6/2.8 mph		
Ground Pressure	4.4 psi		
Swing Speed	9.0 rpm		
Swing Angle	L50°/R90°		