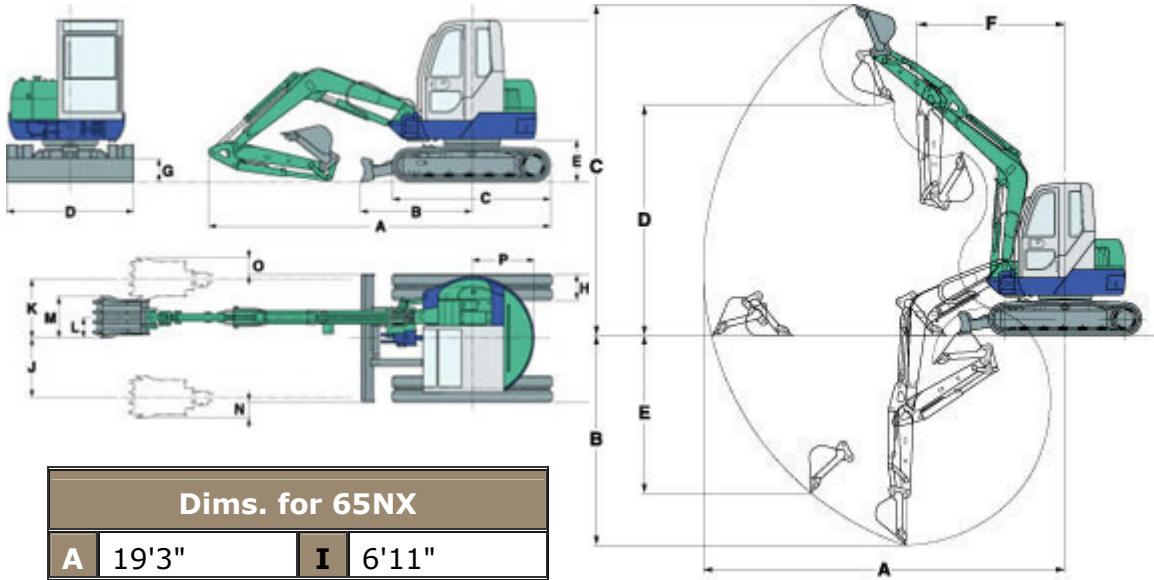


65NX



Dims. for 65NX			
A	19'3"	I	6'11"
B	6'0"	J	4'3"
C	9'2"	K	4'2"
D	6'11"	L	11"
E	2'3"	M	2'3"
F	8'6"	N	10"
G	1'5"	O	8"
H	1'4"	P	3'5"

Working Ranges 65NX		
A	Max Digging Radius	21'4"
B	Max Digging Depth	12'10"
C	Max Digging Height	19'10"
D	Max Dumping Height	13'10"
E	Max Vertical Digging Depth	9'10"
F	Min Front Turning Radius	8'5"
	At Right Boom Swing	7'0"
	Digging Force	12,100 lbs

Specifications			
Basic Specifications		Hydraulic Equipment	
Canopy	4 Post/Cabin	Pumps	1
Bucket Capacity	7.1 cu. Ft.	Type-Piston/Gear	1 Piston
Operating Weight	14,400 lbs	Total Flow	39.6 gpm
Transports Weight	13,950 lbs	Operating Pressure	3,553 psi
		Auxiliary Flow	23.8 gpm

Engine		Dimensions	
Model	Yanmar 4TNV94L	Length	19'3"
Horsepower	55 @ 2,400 rpm	Width	6'11"
Fuel Tank Capacity	22.5 gals	Height	8'6"
Features			
Travel Speed L/H	1.7/3/3 mph		
Ground Pressure	4.4 psi		
Swing Speed	9.5 rpm		
Swing Angle	L50°/R90°		