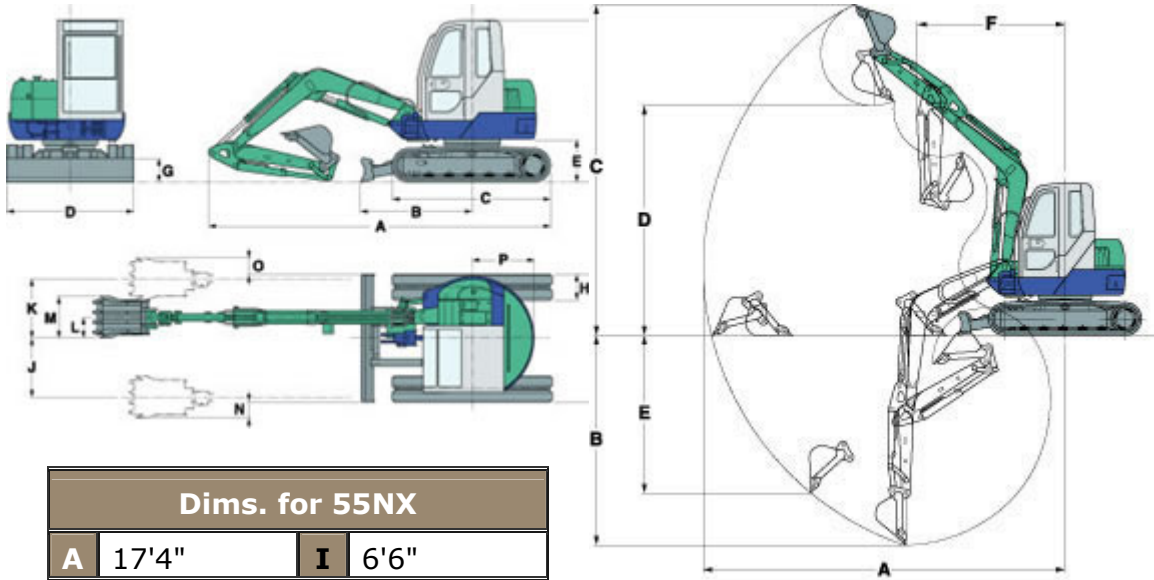


# 55NX



**Dims. for 55NX**

<b>A</b>	17'4"	<b>I</b>	6'6"
<b>B</b>	5'8"	<b>J</b>	2'11"
<b>C</b>	8'2"	<b>K</b>	2'5.5"
<b>D</b>	6'6"	<b>L</b>	6"
<b>E</b>	2'5"	<b>M</b>	2'2"
<b>F</b>	8'1"	<b>N</b>	8.5"
<b>G</b>	1'3"	<b>O</b>	3.2"
<b>H</b>	1'4"	<b>P</b>	3'7"

**Working Ranges 55NX**

<b>A</b>	Max Digging Radius	20'3"
<b>B</b>	Max Digging Depth	12'5"
<b>C</b>	Max Digging Height	19'4"
<b>D</b>	Max Dumping Height	13'11"
<b>E</b>	Max Vertical Digging Depth	9'9"
<b>F</b>	Min Front Turning Radius	7'5"
	At Right Boom Swing	6'7"
	Digging Force	10,850 lbs

## Specifications

Basic Specifications		Hydraulic Equipment	
Canopy	4 Post/Cabin	Pumps	1
Bucket Capacity	5.3 cu. Ft.	Type-Piston/Gear	1 Piston
Operating Weight	12,498 lbs	Total Flow	32.8 gpm
Transports Weight	11,700 lbs	Operating Pressure	3,555 psi
		Auxiliary Flow	17.2 gpm

Engine		Dimensions	
Model	Yanmar 4TNV88	Length	18'
Horsepower	37.1 @ 2,300 rpm	Width	6'6"
Fuel Tank Capacity	17.2 gals	Height	8'1"
Features			
Travel Speed L/H	1.6/3.0 mph		
Ground Pressure	4.2 psi		
Swing Speed	9.0 rpm		
Swing Angle	L50°/R90°		