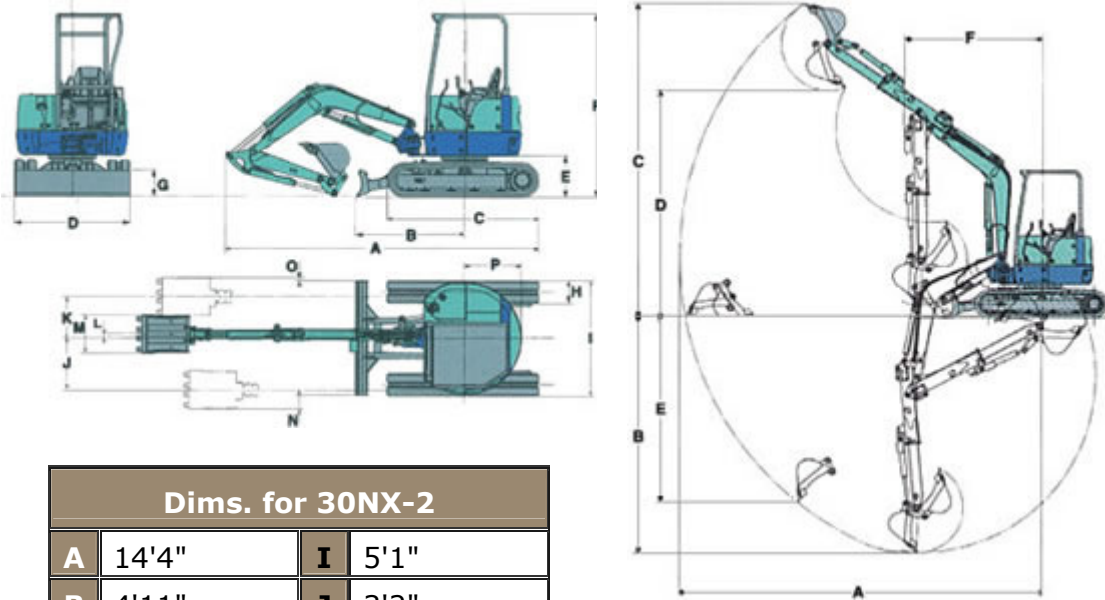


30NX-2



Dims. for 30NX-2			
A	14'4"	I	5'1"
B	4'11"	J	3'2"
C	6'11"	K	2'11"
D	5'1"	L	2"
E	1'10"	M	1'10"
F	8'2"	N	8"
G	1'3"	O	2"
H	1'0"	P	2'7"

Working Ranges 30NX-2		
A	Max Digging Radius	16'8"
B	Max Digging Depth	10'6"
C	Max Digging Height	14'2"
D	Max Dumping Height	10'0"
E	Max Vertical Digging Depth	8'5"
F	Min Front Turning Radius	7'3"
	At Right Boom Swing	5'8"
	Digging Force	7,180 lbs.

Specifications			
Basic Specifications		Hydraulic Equipment	
Canopy	4 Post/Cabin	Pumps	4
Bucket Capacity	3.2 cu. Ft.	Type-Piston/Gear	2 Piston / 2 Gear
Operating Weight	7,075 lbs	Total Flow	23.2 gpm
Transports Weight	6,750 lbs	Operating Pressure	3,133 psi
		Auxiliary Flow	14.2 gpm

Engine		Dimensions	
Model	Yanmar 3TNV84	Length	14'6"
Horsepower	23.9 @ 2,400 rpm	Width	5'1"
Fuel Tank Capacity	10.6 gals	Height	8'2"
Features			
Travel Speed L/H	1.6/3.1 mph		
Ground Pressure	4.6 psi		
Swing Speed	9.2 rpm		
Swing Angle	L50°/R90°		