



TEREX®

PT200

2WD Rear Wheel Steer Site Dumper

OPERATING WEIGHT	2,755 lbs (1,250 kg)
NET ENGINE POWER	22 hp (16.4 kW)
HEAPED	1.8 yd ³ (1,384 L)
STRUCK LEVEL	1.4 yd ³ (1,052 L)



2WD REAR WHEEL STEER
PT200

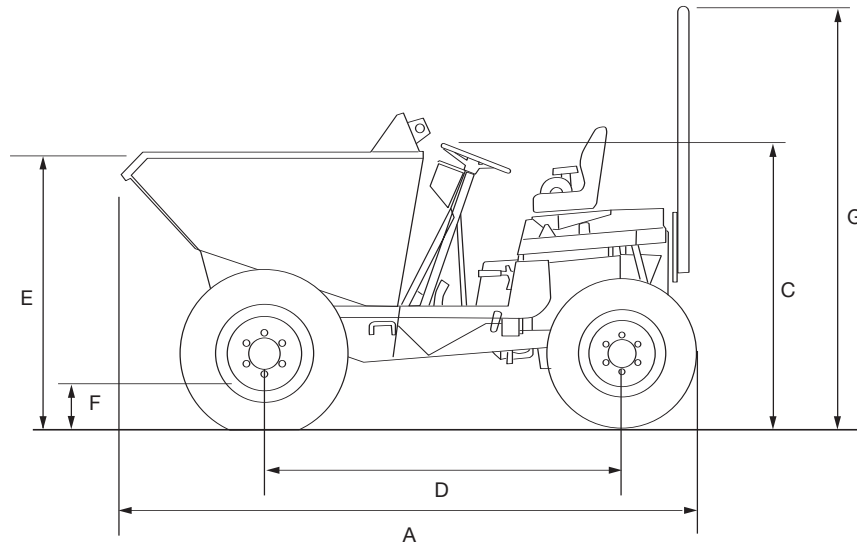
Specifications

Engine	
Manufacturer, model	Kubota D905E
Net power rating @ 3,200 rpm	22 hp (16.4 kW)
Bucket Capacities	
Payload	4,409 lbs (2,000 kg)
Water	1.1 yd ³ (860 L)
Struck	1.4 yd ³ (1,052 L)
Heaped	1.8 yd ³ (1,384 L)

Transmission	
2 WD, manual	3/1
Brakes	
Totally enclosed, oil immersed, multi-plate disc brakes	
Tires	
Standard	R-7.5x16x8PR F-6.0x16x4PR
Operating Weight	
Weight	2,755 lbs (1,250 kg)

2WD Rear Wheel Steer Site Dumper PT200

Dimensions



Dimensions		
A	Overall length	111 in (2.82 m)
B	Overall width	60 in (1.52 m)
C	Height to steering	58 in (1.47 m)
D	Wheelbase	70 in (1.77 m)
E	Height front bucket tip	48 in (1.22 m)
F	Ground clearance	10 in (.25 m)
G	Overall height	95 in (2.41 m)
	Dump reach front	18 in (.241 m)
	Turning radius (wall to wall)	10 ft 8 in (3.25 m)



For more information, product demonstration, or details on purchase, lease and rental plans, please contact your local Terex Distributor.

Terex Construction Americas

8800 Rostin Road
Southaven, MS 38671
USA

TEL 662-393-1800
SALES 866-837-3923
PARTS & TECH SUPPORT 888-201-6008
FAX 662-393-1700
EMAIL sales@terexca.com
WEB terexca.com

Effective Date: May 1, 2007. Product specifications and prices are subject to change without notice or obligation. The photographs and/or drawings in this document are for illustrative purposes only. Refer to the appropriate Operator's Manual for instructions on the proper use of this equipment. Failure to follow the appropriate Operator's Manual when using our equipment or to otherwise act irresponsibly may result in serious injury or death. The only warranty applicable to our equipment is the standard written warranty applicable to the particular product and sale and Terex makes no other warranty, express or implied. Products and services listed may be trademarks, service marks or trade-names of Terex Corporation and/or its subsidiaries in the USA and other countries and all rights are reserved. Terex® is a registered trademark of Terex Corporation in the USA and many other countries. Copyright © 2007 Terex Corporation.