

Hydrostatic Site Dumpers

PAYLOAD	3500 kg / 4000kg
GROSS ENGINE POWER	32.4 kW (43.2 hp)
MAX SKIP CAPACITIES	1870 - 2640 Litres



- Large heaped skip capacities.
- “Rental Tough” designs and fabrications to keep you working in the toughest of conditions.
- Thick steel skip base plate with reinforced box sections for high strength and longevity.
- Exceptional service access and ease of maintenance built into every machine.
- High ground clearance, low centre of gravity for superb stability and site accessibility.
- Powerful, reliable and economical Kubota engines.
- Power Tip (PT) for forwards tip applications. Power Swivel (PS) enables effective placement of load to either side - useful for trench filling or small sites.
- Hydrostatic drive for superior comfort and hill-climbing ability.

Technical Data

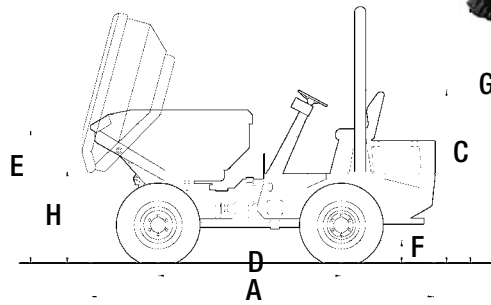
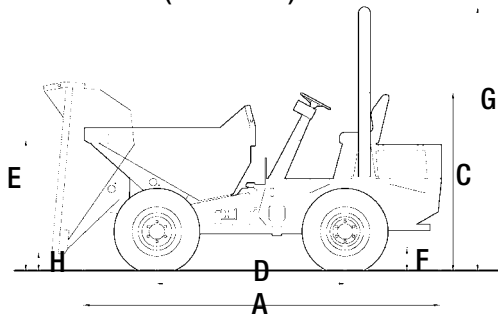
	PS3500H	PS4000H	PT4000H
Payload (kg)	3500	4000	4000
Unladen Weight (kg)	2380	2840	2520
Skip Capacity - Water (ltr)	1000	1350	1420
- Struck (ltr)	1500	1660	2000
- Heaped (ltr)	1870	2500	2640
Engine	Kubota V2203M		
- Net Power - kW (hp)	32.4 (43.2)		
- Capacity	2197 cc		
- Maximum Torque	145 Nm		
Tyre Size	11.5/80x15.3x8ply	12.0x18x12ply	
Drive	2/2 hydrostatic - permanent 4WD		
Max Travel Speed - mph (kph)	(18.0)	(18.0)	(18.0)
Gradeability	25 %	25 %	25 %
Fuel Tank Capacity	37 Litres	37 Litres	37 Litres
Hydraulic Tank Capacity	37 Litres	37 Litres	37 Litres

PS3500H / PS4000H / PT4000H



Dimensions

B = Overall Width (not shown)



Dimensions (mm)		PS3500H	PS4000H	PT4000H
A	Total Length	3850	4270	3706
B	Total Width (not shown)	1860	1910	2170
C	Height to Top of Steering Wheel	1860	1890	1890
D	Wheelbase	1950	1950	1950
E	Height to Front Lip of Skip (untipped)	1500	1600	1460
F	Ground Clearance	300	330	330
G	Height to Top of ROPS (raised)	2680	2795	2795
H	Height to Front Lip of Skip (tipped)	1100	1030	290
	Turning Radius to Outside of Skip	4665 mm	4665 mm	4665 mm
	Steering Angle	+/- 30°	+/- 30°	+/- 30°
	Oscillation	+/- 10.5°	+/- 10.5°	+/- 10.5°
	Tipping Type	Swing	Swing	Forward

Hydraulic System (Gear Pump)

	PS3500H	PS4000H	PT4000H
Flow rate	30 l/min	30 l/min	30 l/min
Operating Pressure	172 bar	172 bar	172 bar

Braking System

	PS3500H	PS4000H	PT4000H
Working Brake	Foot Brake - Oil Immersed Discs on Front		
Parking Brake	Over Centre Handbrake - Oil Immersed Disc Front Axle		

Standard Equipment & Options

	PS3500H / PS4000H / PT4000H
Folding ROPS Frame	Standard
Reversing Alarm	Standard
Flashing Beacon	Standard
Towing Bracket	Standard
Site Lights	Option
Road Lights (RTA)	Option
Rear View Mirror	Option
Grassland Tyres	Option

Electrical System

	PS3500H	PS4000H	PT4000H
Voltage	12 V	12V	12V
Battery	74 Ah	74 Ah	74 Ah
Alternator	55 A	55 A	55 A

Dealer



TEREX Construction
Central Boulevard, ProLogis Park,
Coventry, England CV6 4BX

PHONE ++44 (0) 2476 339400
FAX ++44 (0) 2476 339500
EMAIL enquiries@terexce.com
WEB www.terexce.com

www.terex.com

For further information, please contact your local distributor or the Terex sales office listed. Terex pursues a policy of continuous development for its products. Product specifications are subject to change without notice or obligation. The photographs and drawings in this brochure are for illustrative purposes only. Refer to the appropriate Operator's Manual for instructions on the proper use of this equipment. Failure to follow the appropriate Operator's Manual when using our equipment or to otherwise act irresponsibly may result in serious injury or death. Prices and specifications subject to change without notice. The only warranty applicable is the standard written warranty applicable to the particular product and sale. Terex makes no other warranties, whether expressed or implied. Products and services listed may be trademarks, service marks or trade-names of Terex Corporation and/or its subsidiaries in the USA and other countries and all rights are reserved. "Terex" is a Registered Trademark of Terex Corporation in the USA and many other countries. Copyright ©09.2006 Terex Corporation



Printed on material using 55% recycled fibre from both pre and post-consumer sources, together with 45% virgin ECF fibre from sustainable forests.