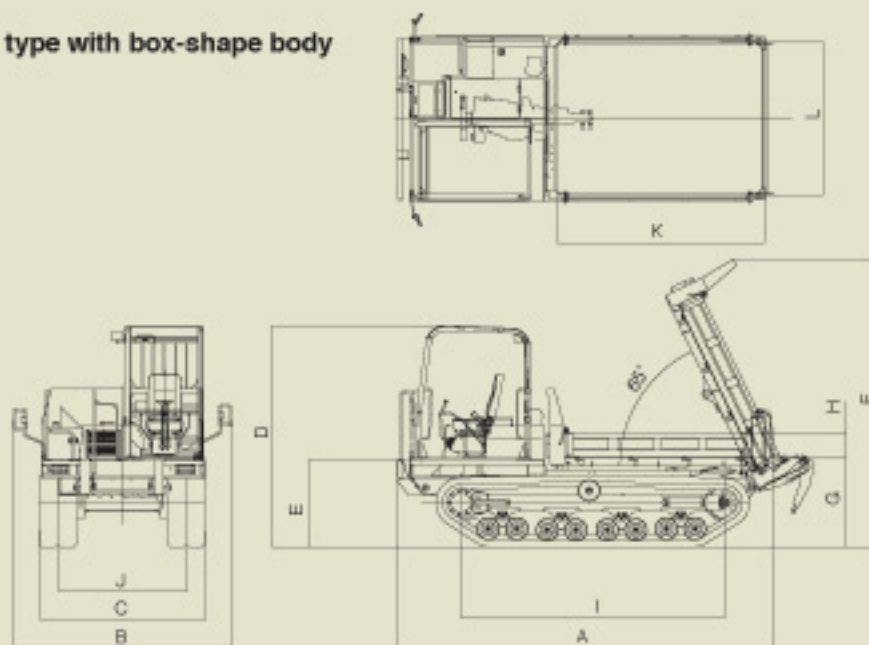


One-way dump type with box-shape body



Dimensions

ft-in(mm)

Dimension	A	B	C	D	E	F	G	H	I	J	K	L		
Dump body type	One-way	Box type	14'11" (4543)	8'8" (2643)	6'7" (2006)	8'9" (2675)	3'5" (1053)	11'5" (3475)	3'7" (1093)	1' (305)	10'9" (3196)	5'1" (1553)	8'2" (2500)	6'1" (1853)

Specifications

Model		C50R-3A		
		Canopy	Cabin	
Dump body Type		One-way dump type		
Shape of body		Box-shape		
Operating Mass	Net, unloading	lbs (kg)		
Engine	Type	Water-cooled 4 cyl. Diesel engine		
	Model	4TNV106-NTB		
	Output	hp(kW) / RPM		
Transmission		Two-speed automatic hydrostatic transmission with lockout mechanism in low speed		
Under carriage	Track shoes	Steel reinforced rubber track with automatic track tension		
	Shoe width	ft-in (mm)		
	Min. ground clearance	ft-in (mm)		
	Ground contact pressure	Unloaded	psi (kPa)	
		Loaded	psi (kPa)	
Brakes	Parking brake	Wet multiple disk brake		
Performance	Max. paymass (payload)	lbs (kg)		
	Max. dumping angle	degrees		
	Dump clearance	ft-in (mm)		
	Dump body capacity	Struck	yd ³ (m ³)	
		Heaped	yd ³ (m ³)	
	Travel speed	Forward	mph (km/h)	
Reverse		mph (km/h)		
	Traction Force	lbs (kg)		
Hydraulic system	Pump (for dump)	Gear		
	Control valve	Pilot controlled spool valve		
	Pump displacement	in ³ /rev (cm ³ /rev)		
	Relief set pressure	psi (MPa)		
Fuel tank capacity		Gals (L)		

Note : All information presented in this Brochure is subject to change without notice

YANMAR CONSTRUCTION EQUIPMENT CO., LTD.

EXPORT DEPT. CONSTRUCTION
 1717-1 Kumano, Chikugo, Fukuoka 833-0055 JAPAN
 TEL. (0942) 53-5465 FAX. (0942) 53-5132
<http://www.yanmar.co.jp>

YANMAR AMERICA CORP.

CONSTRUCTION EQUIPMENT DEPT.
 101 International Parkway, Adairsville, GA 30103, U.S.A.
 TEL: 770-877-7570 FAX: 770-877-7572
<http://www.yanmar.com>