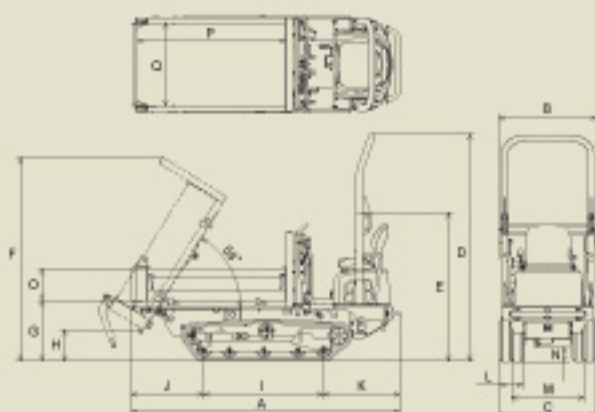
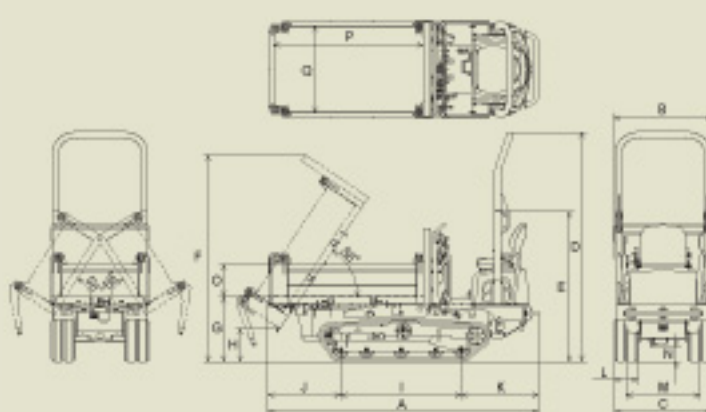


One-way dump



Three-way dump type



Dimensions

ft-in. (mm)

	A	B	C	D	E	F	G	H	I	J	K	L	M	N	O	P	Q
One-way dump	35" (2650)	31" (950)	31" (950)	7.5" (2290)	5.9" (1470)	6.7" (2015)	2.0" (600)	1" (310)	3.10" (1180)	2.4" (710)	2.6" (760)	9" (230)	2.4" (720)	6" (150)	11" (320)	4.10" (1470)	2.9" (830)
Three-way dump	35" (2650)	32" (960)	31" (950)	7.5" (2290)	5.9" (1470)	6.8" (2025)	2.1" (635)	1.1" (325)	3.10" (1180)	2.4" (710)	2.6" (760)	9" (230)	2.4" (720)	6" (150)	11" (315)	4.10" (1470)	2.10" (960)

Specifications

Model				C12R-A	
Dump vessel type				One-way	Three-way
Operating weight	Net, unloaded	lbs (kg)		2227 (1010)	2426 (1100)
Engine	Type	Water cooled 2 cyl. Diesel engine			
	Model	2TE67L-FW			
	Output	hp(kW)/RPM		10.4 (7.7) / 2800	
Transmission	Hydrostatic & Reduction gear				
Under carriage	Crawler width	ft-in (mm)		9" (230)	
	Min. ground clearance	ft-in (mm)		6" (150)	
	Ground contact pressure	w/o load	psi (kPa)	2.70 (18.6)	
w/ load		psi (kPa)	5.68 (39.2)		5.83 (40.2)
Brake	Service brake	Type	Mechanical wet multiple disk		
		Operation	Pedal, mechanical		
	Parking brake	Type	Common with service brake		
		Operation	Lever, pedal lock		
Performance	Max. payload	lbs (kg)		2540 (1150)	
	Dumping angle	Rear	degrees	58	
		Side	degrees	—	
	Dump clearance at rear dump	ft-in (mm)		1' (310)	
	Dump body capacity	Struck	yd ³ (m ³)	0.52 (0.40)	
		Heaped	yd ³ (m ³)	0.68 (0.52)	
Travel speed	Forward	mph (km/h)	0~3.4 (0~5.5)		
	Reverse	mph (km/h)	0~3.4 (0~5.5)		
Hydraulic system for dump	Pump	Gear			
	Control valve	Single spool			
Fuel tank capacity	Gals (L)		4 (14.5)		

YANMAR

Note: All information presented in this Brochure is subject to change without notice

YANMAR CONSTRUCTION EQUIPMENT CO., LTD.

EXPORT DEPT. CONSTRUCTION
1717-1 Kumano, Chikugo, Fukuoka 833-0055 JAPAN
TEL. (0942) 53-5465 FAX. (0942) 53-5132
<http://www.yanmar.co.jp>

YANMAR AMERICA CORP.

CONSTRUCTION EQUIPMENT DEPT.
101 International Parkway, Adairsville, GA 30103, U.S.A.
TEL: 770-877-7570 FAX: 770-877-7572
<http://www.yanmar.com>